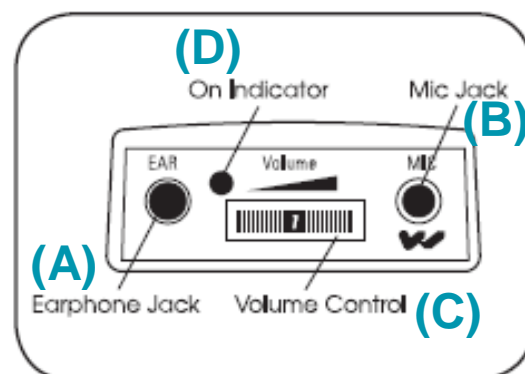
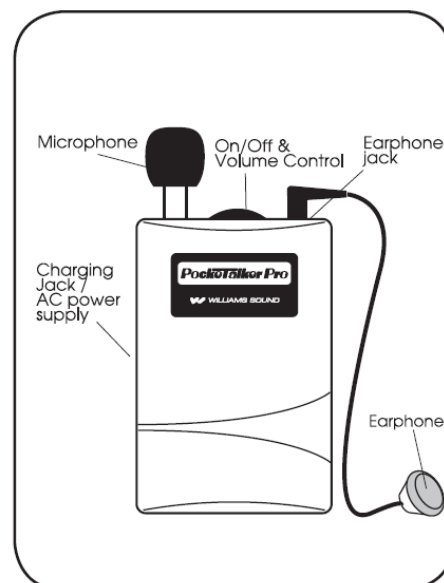


How do I use the Pocketalker Pro?

This device can be used with or without hearing aids and amplifies only.

1. Cover the earpieces of the folding headphones with disposable covers
2. Plug the headphones into the "EAR" jack (A)
3. Plug the microphone into the "MIC" jack (B)
4. The listener should then put on the headphones and position the external microphone near the speaker.
5. Turn on the device by turning the volume control (C). The on indicator (D) should be lit.
6. Adjust the volume according to the listener's preferences.
7. After using switch off and **throw out used disposable headphone covers.**

Remember, it is still important to speak clearly and to face the hard of hearing individual to enable effective communication.



What is the Pocketalker Pro?

The Pocketalker Pro is a personal amplifier device. It amplifies sounds closest to the listener while reducing background noise. It is ideal for use in one-on-one conversations, small-group and television listening, or conversing in the car. It can be used with or without hearing aids.

The headphone jack accepts a variety of hearing accessories, including earphones, headphones, and neckloops. In addition, the external plug-in microphone picks up sound while reducing background noise. Finally, there is adjustable volume control, which allows the listener to hear at their level of comfort.

Please note, some of these devices differ in appearance depending on brand and model, but should function very similarly, if not identically.

